

APPLICATION:

PRODUCT NAME:

**8" ADJUSTABLE WALL MOUNT FAUCET**

JOB NAME:

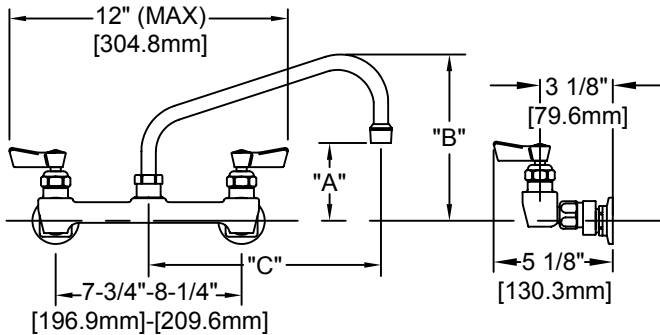
■ **83259** SPECIAL CONFIGURATION  
(CHECK BASE MODEL AND OPTIONS)

QUANTITY:

ITEM NO.:

MODEL:

- 3250 W/ 6" SWING SPOUT
- 3251 W/ 8" SWING SPOUT
- 3252 W/ 10" SWING SPOUT
- 3253 W/ 12" SWING SPOUT
- 3254 W/ 14" SWING SPOUT
- 9102 W/ 16" SWING SPOUT



MODEL	DIM "A"	DIM "B"	DIM "C"
3250	2-1/4" [57.2mm]	5-7/8" [149.2mm]	6" [152.4mm]
3251	2-1/2" [63.5mm]	6-3/8" [161.9mm]	8" [203.2mm]
3252	3-1/8" [79.4mm]	6-7/8" [174.6mm]	10" [254.0mm]
3253	3-3/4" [95.3mm]	7-3/8" [187.3mm]	12" [304.8mm]
3254	4-3/8" [111.1mm]	8-1/4" [209.6mm]	14" [355.6mm]
9102	5" [127.0mm]	8-7/8" [225.4mm]	16" [406.4mm]

OPTIONS OR MODIFICATIONS:

- SUPPLY LINES (24" OR 36") CIRCLE LENGTH
- DJ SUB-ASSY (7-1/4" OR 13") CIRCLE LENGTH
- NIPPLES
- ELBOWS
- VANDAL RESISTANT KIT
- HANDLES (CROSS OR WRIST) CIRCLE STYLE
- OTHER \_\_\_\_\_

FEATURES:

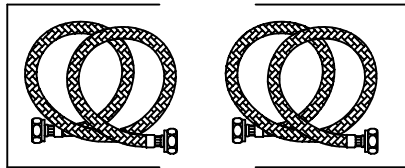
- \* 8" ADJUSTABLE WALL MOUNT
- \* ECCENTRICS ADJUST FROM 7-3/4" TO 8-1/4"
- \* SWIVELING SEAT DISKS
- \* HOT SIDE STEM - RIGHT HAND
- \* COLD SIDE STEM - LEFT HAND
- \* STAINLESS STEEL SEATS
- \* STAINLESS STEEL SEAT SCREWS
- \* STAINLESS STEEL HANDLE SCREWS

SYSTEM LIMITS

- \* TEMP: 40°F MIN. TO 140°F MAX.
- \* PRESSURE 200 PSI MAX. STATIC
- \* 2.20 GPM AT 80 PSI

SHIPPING WEIGHT

- \* 5.0 LBS



1/2" FEMALE 36"  
SUPPLY LINES

ROUGH-IN:

